

INSTRUCTION MANUAL

FEATURES

RV Media LCD TV Brackets offer you maximum flexibility for your RV installation. This product features a detachable mounting base system meaning you can remove the Arm & TV from the Mounting Base and use the TV in another location in or outside the RV. To enable you to do this easily, this product is supplied with a second Mounting Base. Both mounting bases include a spirit level for easy installation.

For quick stowage during transit, this TV Bracket also features a removable TV Mount so you can quickly remove the TV from the bracket.

Finally, we have developed a simple locking system to ensure your new TV Bracket is securely stowed during transit.

SPECIFICATIONS

- TV Size: up to 24"
- Maximum Load: 15 kg (33 lbs)
- Mounting Pattern: 75 mm x 75 mm or 100 mm x 100 mm
- Tilt Range: up to 14° in all directions
- Pan/Swivel Range: up to 180°
- Horizontal Rotation: 360°
- Models/Max Reach (from wall to back of TV; bracket perpendicular to wall)
 - 042162 1 Arm 255mm
 - 042163 2 Arm 400mm
 - 042164 3 Arm 545mm

BOX CONTENTS

- Mount (x1)
- Instruction Manual (x1)
- Wall Plate (x2)
- Hardware Kit (x1)

WARNINGS

1 Read these instructions before you begin. If you are unsure of any part of the process, contact a professional contractor or installer for assistance. Improper installation may result in injury or damage.

2 Attach the mount to the back of your TV using the screws identified in step 1. If you are using the M4 x 20 screws on a TV with a curved or recessed back, you may also need to use spacers (D). However, you should only use spacers if necessary.

3 Slide the mount with the TV attached on to the end of the TV bracket arm. Use a set screw (E) on either side of the bracket at the end of the arm to secure the TV mount by tightening it clockwise so the mount cannot slide out of the arm. Note you must use the set screw to ensure the mount is secured to the TV arm.

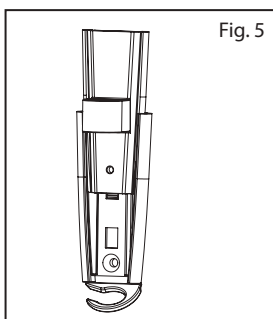
Part 3 – Final Assembly

1 To complete the installation, carefully slide the bracket with your TV attached into the wall plate (see Fig. 5) until the plastic piece at the top of the wall plate clicks. Do not release the TV until the TV plate is securely placed in the wall plate.

Part 3 – Final Assembly (continued)

2 If you need to remove the TV from the wall, push the plastic tab at the top of the wall plate in and carefully slide the mount upwards and out of the wall plate.

3 Tighten the set screw (E) located on the bottom front portion of the wall plate. Remember to loosen the set screw before attempting to remove the mount from the wall plate.



IMPORTANT! The set screw should be used at all times to prevent the mount from moving or rattling.

4 Cables can be kept organised and out of the way by routing them through the hook at the bottom of the wall plate then along the TV bracket arm(s) by removing the plastic clips embossed with "RV Media". Run the cables along the middle of the arm, then refit the plastic clips to hold them in place.







- 2** The wall or mounting surface must be capable of supporting the combined weight of the mount and the TV; if not, the structure must be reinforced.
- 3** Locate pipes, wires, or any other hazards in the wall where you wish to install the mount before drilling.
- 4** Safety gear and proper tools must be used. Failure to do so may result in injury or damage.
- 5** Two people are recommended for installation. Do not attempt to lift a heavy TV without assistance.
- 6** Follow all instructions and recommendations regarding adequate ventilation and suitable locations for mounting your TV. Consult the owner's manual for your particular TV for more information.

⚠ CAUTION: This wall mount is intended for use only with the maximum weight of 15 kg (33 lbs). Use with heavier than the maximum weights indicated may result in instability causing possible injury.

TOOLS REQUIRED

- Phillips Head Screw Driver
- Electric or Portable Drill
- 3 mm (1/8") Drill Bit

HARDWARE KIT

- | | |
|-------------------------------------------------------------------------------------|---------------------------------------------------------------------------------------|
| (A) Wood Screw (x4) | (D) Spacer (x4) |
|  |  |
| (B) M4 x 12 Screw (x4) | (E) Set screws (x2) |
|  |  |
| (C) M4 x 20 Screw (x4) | (F) S4 Allen Key (x1) |
|  |  |

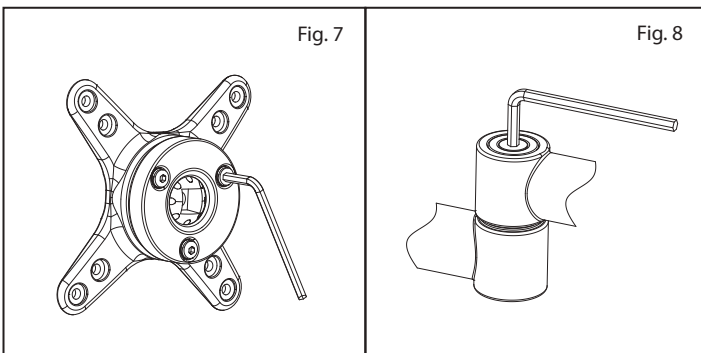
INSTALLATION

Part 1 – Mounting to the Wall

IMPORTANT! For safety reasons, this mount must be secured to a surface capable of supporting the combined weight of the mount and TV.

OPERATION AND ADJUSTMENT

1 To adjust the tilt angle or rotate your screen, firmly grasp the sides of your TV and carefully move it into position. If you find the mount is too difficult to move or is too loose to hold your TV in position, adjust the three screws located directly behind the head of the mount using the S4 Allen key (F) from the hardware kit (see Fig. 7). Adjust all three screws evenly.



OPERATION AND ADJUSTMENT (continued)

- 2 Swivel adjustments can be made simply by moving your TV to the desired position.** If any of the swivel joints are too tight or too loose, they can be adjusted using the S4 Allen key (F) from the hardware kit (see Fig. 8).
- 3 Periodically clean your mount with a dry cloth. Inspect all screws and hardware at regular intervals to ensure that no connections have become loose over time. Re-tighten as needed.**

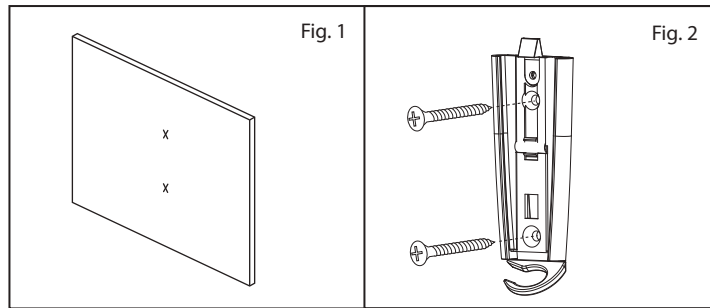
LOCKING MECHANISM

- 1 We recommend you remove your TV from the wall bracket when in transit to protect the TV from unnecessary vibrations.**
- 2 To lock the wall bracket against the wall, push the all of the arm(s) to one side (the bracket can be locked by pushing the arm(s) to either the left or right side of the mounting plate) so all of the white guides align on the arms, then slide the locking pin through the arm(s) and also through the white guide on the mounting plate to secure the arm(s) in place. Note It is recommended you remove the TV to do this.**

- 1 Place the wall plate against the wall and level it using the integrated bubble level.**
- 2 Mark two locations for securing the mount to the wall (see Fig.1) and set the wall plate aside.**
- 3 Drill a 3 mm (1/8") pilot hole at each marked location.**

Part 1A – Mounting to the Wall (continued)

4 Place the wall plate back against the wall and attach it using the screws (A) provided (see Fig. 2). Do not over-tighten these screws. Ensure that the wall plate remains level after both screws are secured.



Part 2 – Attaching the Mount to the TV

IMPORTANT! Use extra care during this part of the installation. If possible, avoid placing your TV face down as it may damage the viewing surface.

NOTE: This mount comes with a selection of different screws to accommodate a wide variety of TV models. Not all of the hardware in the kit will be used. If you cannot find the appropriate screw size in the kit provided, consult the manufacturer of your TV for more information.

- 1 Determine the correct length of screw to use by examining the back of your TV:**
 - A** If the back of your TV is flat and the mounting holes are flush with the surface, you will use the M4 x 12 screws (B) from the hardware kit.
 - B** If the back of your TV is curved, has a protrusion, or if the mounting holes are recessed, you will need to use the M4 x 20 screws (C) and may also need to use spacers (D).

NOTES